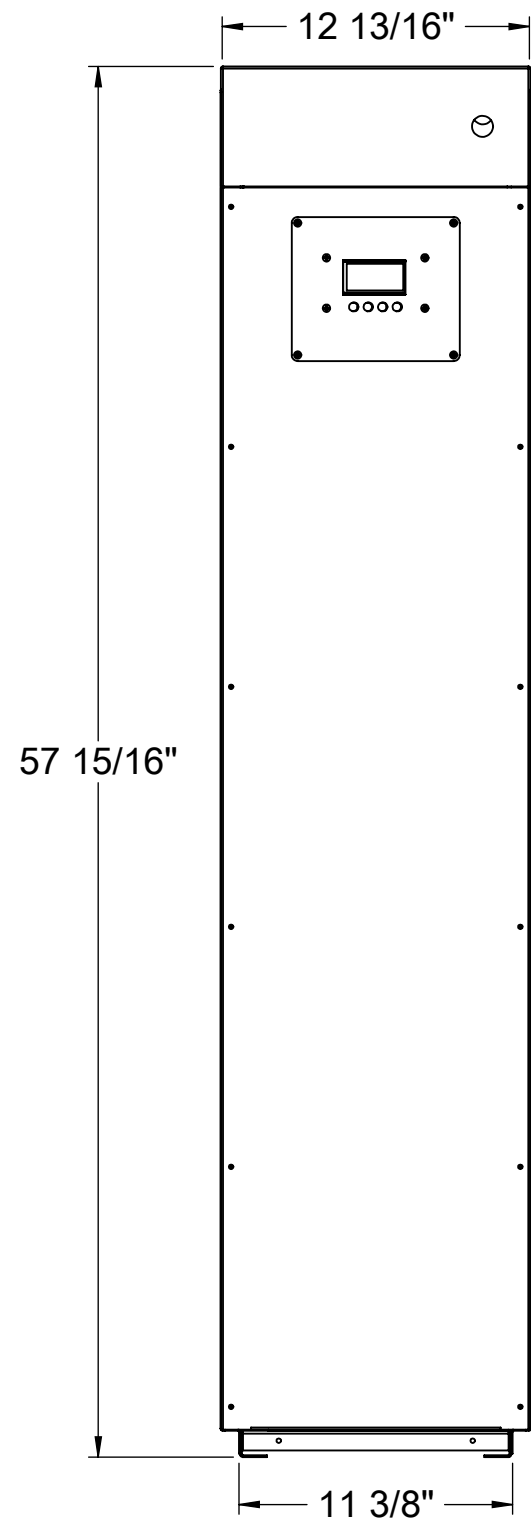
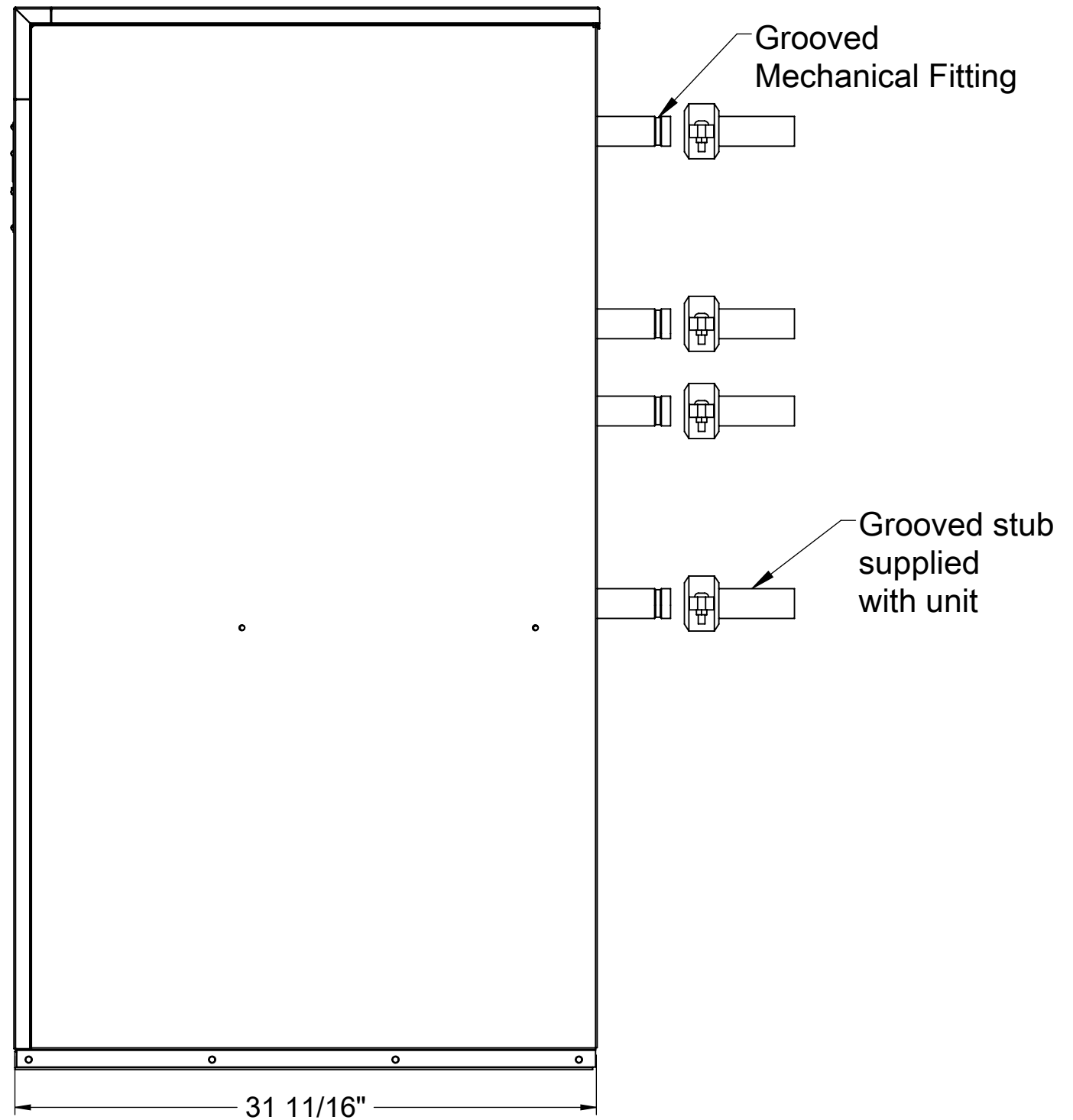


Back View



Front View



Side View



		REVERSING	NON- REVERSING
T1	OUT	LOAD (HEATING or COOLING)	CONDENSER / HEATING
T2	IN		
T3	OUT	SOURCE / SINK	EVAPORATOR / COOLING
T4	IN		

ALL CONNECTIONS - 1.50" GROOVED MECHANICAL FITTINGS